

Powr-Flite
COMMERCIAL FLOOR CARE EQUIPMENT

OPERATOR'S MANUAL & PARTS LIST

Commercial Dryer/Air Mover

Standard Models

PD350, PD500, PD750, PD500DX, PD750DX



Save These Instructions

WARNING: OPERATOR MUST READ AND UNDERSTAND THIS MANUAL COMPLETELY BEFORE OPERATING THIS EQUIPMENT.

IMPORTANT SAFETY INSTRUCTIONS

READ ALL INSTRUCTIONS BEFORE USING THIS APPLIANCE

When using an electrical appliance, basic precautions should always be followed.

WARNING- To reduce the risk of fire, electric shock or injury:

Use only as described in this manual. Use only manufacturer's recommended components and attachments.

Use only indoors. Do not use outdoors or expose to rain.

Do not use with damaged cord or plug. If appliance is not working as it should, has been dropped, damaged, left outdoors, or dropped into water, return it to your Authorized Powr-Flite dealer.

Do not pull or carry by cord, use cord as a handle, close door on cord, or pull cord around sharp edges or corners. Keep cord away from heated surfaces.

Do not unplug by pulling on cord. To unplug, grasp the plug, not the cord.

Do not handle plug or appliance with wet hands.

Do not put any object into openings. Do not use with any opening blocked; keep free of dust, hair and anything that may reduce air flow.

Turn off all controls before unplugging.

Do not attempt to service the unit while appliance is plugged in.

Appliance may cause a fire when operating near flammable vapors or materials. Do not operate this machine near flammable fluids, dust or vapors.

Connect to a properly grounded outlet.

Use only on GFCI protected receptacles.

To reduce the risk of electric shock, connect only to an outlet provided with a ground fault circuit interrupting device.

Do not route cord under furniture or appliances

Do not use an extension cord with this fan.

This unit is thermally protected.

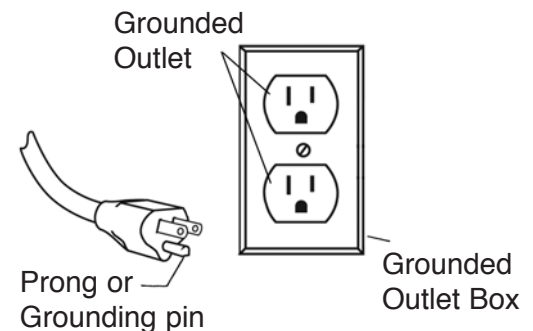


WARNING
Do not stack dryers more than two units high without tie-downs

GROUNDING INSTRUCTIONS

This appliance must be grounded. If it should malfunction or break down, grounding provides a path of least resistance for electric current to reduce the risk of electric shock. This appliance is equipped with a cord having an equipment-grounding conductor and grounding plug. The plug must be plugged into an appropriate outlet that is properly installed and grounded in accordance with all local codes and ordinances.

This appliance is for use on a nominal 120 volt circuit and has a ground plug (see illustration, right). Make sure that the appliance is connected to an outlet having the same configuration as the plug. No adaptor should be used with this appliance. **WARNING** - Improper connection of the equipment-grounding conductor can result in a risk of electric shock. Check with a qualified electrician or service person if you are in doubt as to whether the outlet is properly grounded. Do not modify the plug provided with the appliance – if it will not fit the outlet, have a proper outlet installed by a qualified electrician.



FOR BEST PERFORMANCE

- Keep machine clean and in good operating condition.
- Have machine checked periodically by your Authorized Powr-Flite Dealer.
- Use only authorized service centers for parts or service.
- Store machine carefully in dry area.
- For optimum drying performance and safety, study and follow your operators manual.

SAVE THESE INSTRUCTIONS

OPERATING INSTRUCTIONS

Plug in to a standard outlet with the correct voltage and amperage for the unit.

Place the dryer in the desired operating position.

Set the switch at the desired speed: low, medium or high.

Check for proper operation before leaving the unit unattended. Do not move or carry the dryer when it is running.



3 position switch



cord wrap



unit in vertical position

MAINTENANCE/TROUBLE SHOOTING

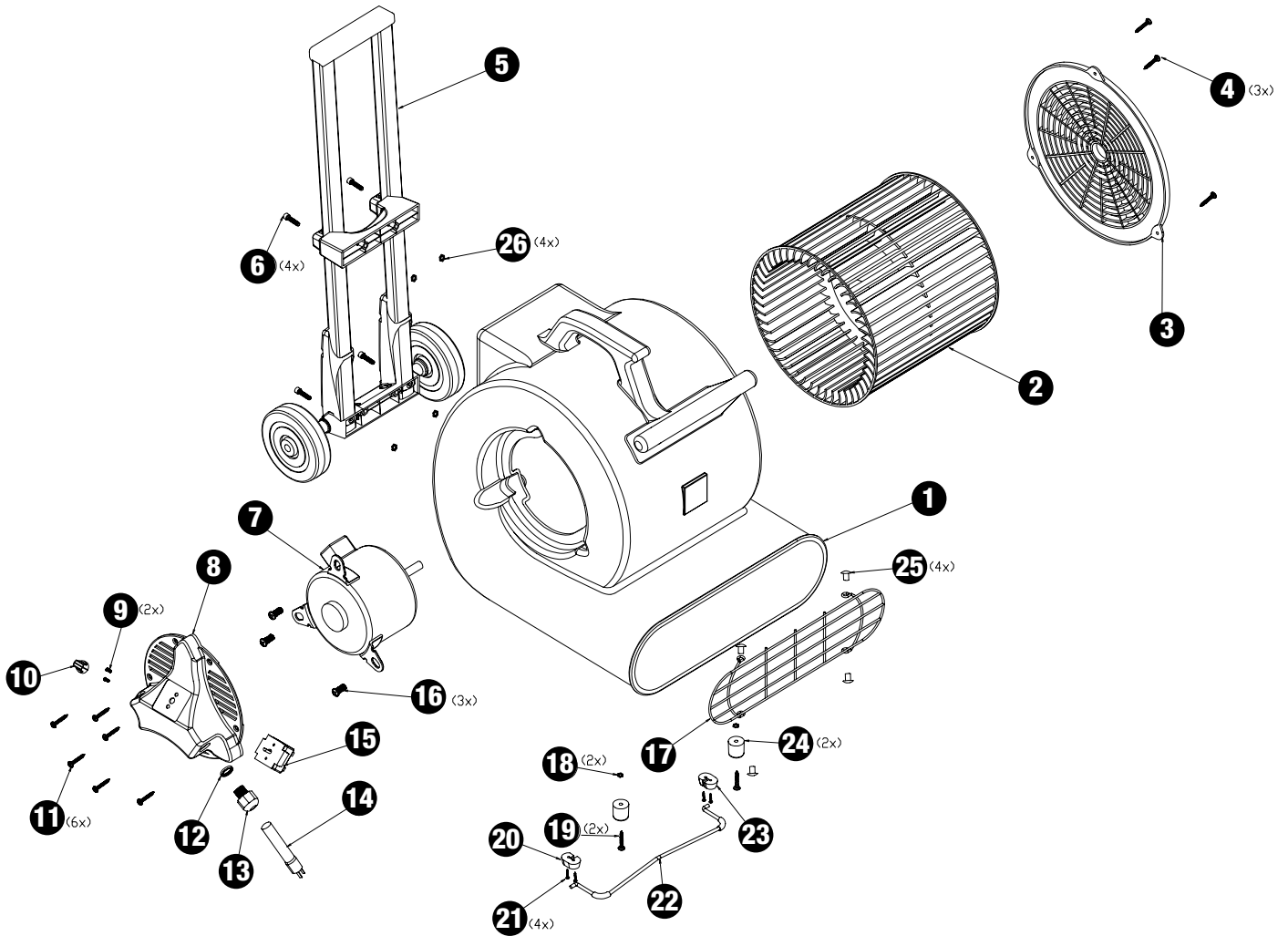
Periodic Maintenance

1. Check power cord for any breaks, separations or cuts.
2. Make sure the ground pin or grounding prong is intact or the machine will be unsafe to operate.

Trouble Shooting (if the dryer will not run)

1. Check electrical cord; is it firmly seated in wall outlet
2. Check GFCI and reset if tripped
3. Check to see if building circuit breaker is tripped. If circuit is overloaded, move cord to different GFCI outlet.
4. Make sure power cord is firmly connected and is in good condition.

Models PD350, PD500, PD750 PARTS

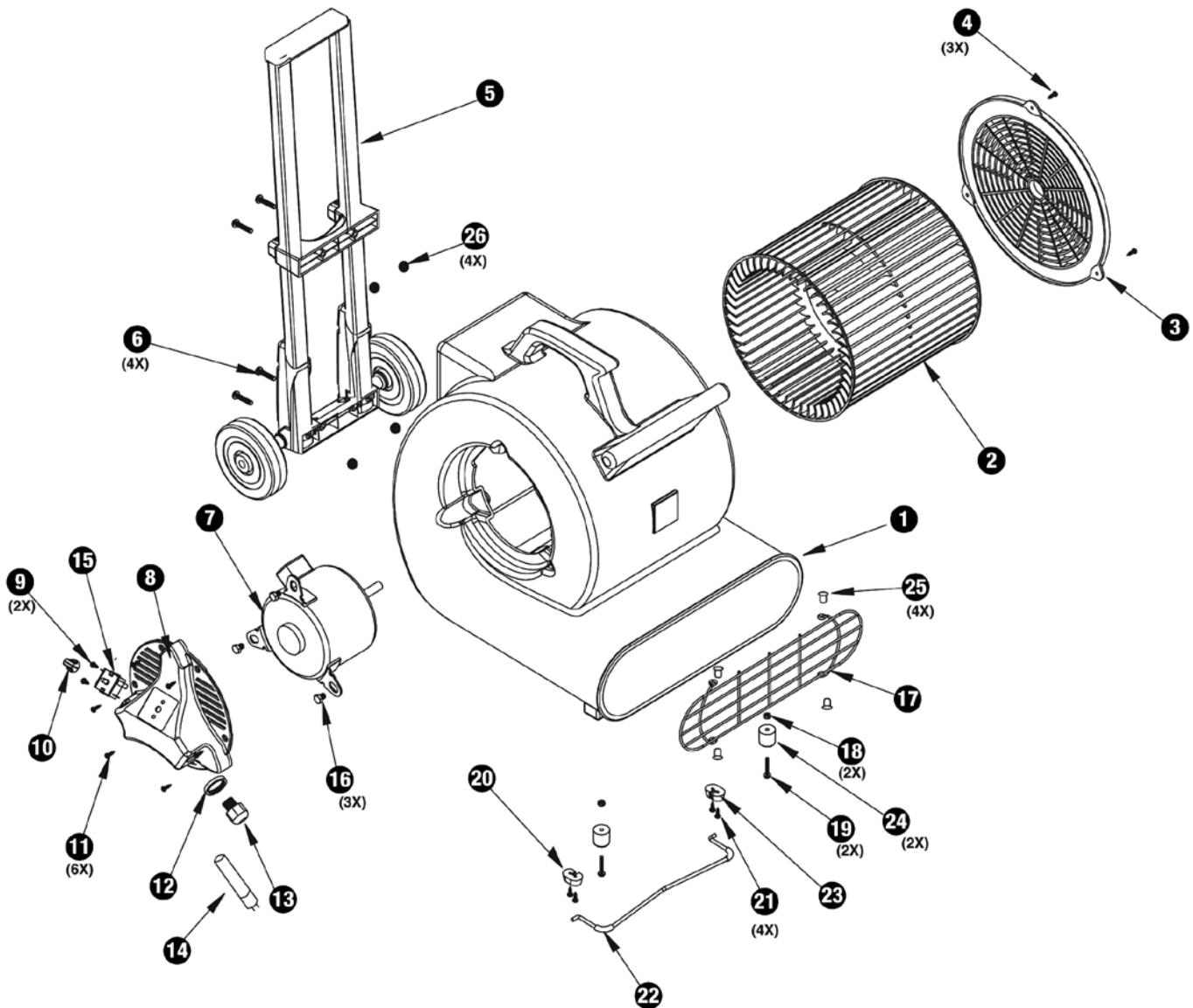


Parts for PD350, PD500, PD750

ref#	part #	description
1	X8876REPRO	Dryer Housing, Black , Regrind
2	PD5D	Squirrel Cage, Plastic
3	X8872A	Intake Panel
4	X8261	Screw, #6 x 1/2", Black
7	X8868-D	3/4 hp Dryer Motor
7	X8882-D	1/3 hp Dryer Motor
7	X8881-D	1/2 hp Dryer Motor
8	X8875	Motor Control Panel
9	X8903	Screw M4x6 Flat Head Phillips
10	X9831	Knob, Switch
11	X8261	Screw, #6 x 1/2", Black
12	X8008N	Nut, Lock, 1/2" Steel Conduit
13	PD8	Strain Relief

ref#	part #	description
14	X8926	20' HD 3 Wire Cord 16/3
15	X8897	Switch, 3 Speed
16	X8964	Screw 3/8-16 x 1/2" Hex Head
17	X8871	Grill, Dryer Discharge
18	X8256	Nut 8-32 KEPS
19	PX73	Screw, 8-32 x 1 PHIL PAN
20	X8929	Foot, Left Dryer Kickstand
21	X8261	Screw, #6 x 1/2", Black
22	X8874	Kickstand, Dryer
23	X8928	Foot, Right Dryer Kickstand
24	PD3B	Foot, Black Rubber
25	X8946	Rivet, 3/16 Black

Models PD500DX, PD750DX PARTS



ref #	item #	description
1	X8876REPRO	dryer housing black
2	PD5D	squirrel cage plastic
3	X8872A	intake panel
4	X8261	screw #6 x 1/2 pan hd phil
5	X8990	handlewheel assembly
6	X8226	1/4-20 x 1" hex head cap screw
7	X8881-D	dryer motor w/cap 1/2 hp motor 120V PD500DX
7	X8868-D	dryer motor w/cap 3/4 hp motor 120V PD750DX
8	X8875	motor control panel
9	X8903	screw, m4x6 flat head phillips
10	X9831	knob
11	X8261	screw #6 x 1/2 pan hd phil
12	X8008N	nut, lock, 1/2" steel conduit
13	PD8	strain relief 1/2" npt
14	X8926	16/3 SJTW 20' cord rev 2 yellow

ref #	item #	description
15	X8897	switch
16	X8964	screw 3/8-16 x 1/2
17	X8871	dryer grill
18	X8256	nut 8-32 keps zinc
19	PX73	8-32 x 1 phil pan m/s
20	X8929	left kickstand foot
21	X8261	screw #6 x 1/2 pan hd phil
22	X8874	kickstand
23	X8928	right kickstand foot
24	PD3B	dryer foot PD500DX
24	PD3C	dryer foot PD750DX
25	X8946	bulbex rivet 3/16 x .040-.354
26	7BF004	nut kep 1/4-20 zinc

*call for pricing and availability of all referenced parts

WARRANTY

The manufacturer warrants to the original purchaser that products manufactured are free from defects, provided such goods are installed, operated and maintained in accordance with written manuals or other instructions for a period of 1 year from date of purchase on workmanship, motor, and parts. In case you, as our customer, meet any trouble with your machine, contact a Powr-Flite representative, who will be happy to be of service to you and will take care of any warranty issues. This warranty covers normal use and does not cover damage which occurs in shipment or failure resulting from alteration, accident, misuse, abuse, neglect or improper maintenance.

Powr-Flite[®]
COMMERCIAL FLOOR CARE EQUIPMENT

A Tacony Company
3101 Wichita Court • Ft. Worth, TX 76140-1755
1-800-880-2913 • Fax: 1-817-551-0719 • www.Powr-Flite.com