

Silver-Line SL-1218R Operator's Manual

Read This Book

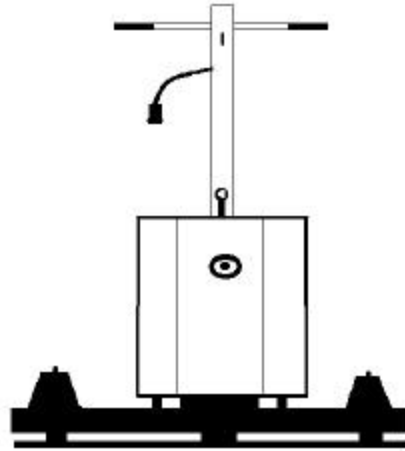
This book has important information for the use and safe operation of this machine. Failure to read this book prior to operating or attempting any service or maintenance procedure for your Silver-Line machine could result in injury to you or to other personnel; damage to the machine or to other property could occur as well. You must have training in the operation of this machine before using it. If you or your operator(s) cannot read English, have this manual explained fully before attempting to operate this machine.

All directions given in this book are seen from operator's position at the rear of the machine.

For new books write to: Essex Silver-Line Corporation, 1118 Lakeview Ave. PO Box 40, Dracut, MA 01826



The SL-1218R Orbital Polisher/Refinisher



Built by Essex Silver-Line Corporation

The SL-1218R will add a different dimension to your fleet of floor care machines. The design allows the user to do the work of a polisher without knowing how to run a rotary polisher.

Applications Include:

- Screening Floors after sanding with the SL-8 & SL-7
- Screen and recoating polyurethane floors
- Waxed floor Scrubbing & Polishing
- Wood Deck Refinishing
- Maintaining Tile

Also available from:
Essex Silver-Line West
14010 N. E. Third Ct. Suite 105
Vancouver, WA 98685
(360) 576-1135

The advantages of the SL-1218R over other orbital polishers include:

- 1 HP sealed Baldor motor, protected from dust, fan cooled
- The weight of the machine is located in the base, giving it a low center of gravity.
- Low center of gravity makes the machine very stable & easy to control
- The plate is the rental standard 12" x 18" size
- The plate is mounted in rubber in lieu of springs
- Larger orbital action Movement (5/8")
- ***The Plate is supported on all four corners by the rubber mounts, protecting the motor shaft!***

Refinements you will find only on the SL-1218R:

- We use a rugged toggle switch (not a rocker switch)
- Our switch terminates both wires
- Heavy duty upgraded wheels
- All Fasteners are American standard (no metric)
- Our Thermal Overload is accessible on the front of the machine
- Our plate is enhanced at the Bearing for ease of service
- Higher grade rubber components
- Twist lock connections at the motor
- Handle at the front of the machine for easy transport
- Our motor Armature has a 50lb pre-load to absorb shock and start easier
- We have a Puller system available for repairs, to make plate removal easier

The SL-1218R

Only \$1295.00

Manufactured in The USA by Essex Silver-Line Corporation

Essex Silver-Line Corporation 1118 Lakeview Ave., PO Box 40 Dracut, MA 01826
Phone (978) 957-2116, Fax (978) 957-6989, Toll Free 800 451-5560
www.essex-silver-line.com

Silver-Line SL-1218R Orbital Floor Refinisher Owners Manual

Thank you for purchasing a SL-1218R floor refinisher. When used properly this unit will perform well as a rental machine. Please review and follow the suggested procedures for operation of this machine.

- A) Use the proper pad! Use a *thick (1") polishing pad (white)* under the carpet to hold the abrasives (sandpaper/sandscreens) under the machine and on the floor.
- B) Between the carpet and the abrasive you should use a thick nylon pad. If a thin pad is used your customer will not achieve the desired results. If no pad is used, the sandpaper may fly out from under the machine and injure the operator, other objects and you may damage the machine. **Note: Rule of thumb is one pad per room, the more pads used the better the results.**
- C) Use minimal chemicals on the surface being prepared (when needed). The machine can hydroplane if there is too much liquid and lose its effectiveness.
- D) **Do Not Store the SL-1218R on the white pad.**

Procedure for setting up your SL-1218R

Remove your machine from the box. Check the wiring connections and test the machine electrically.

Maintenance

Keep your machine electrically safe!

- ✓ Replace any broken or frayed electrical wires immediately!
- ✓ Never defeat the grounding system by eliminating the third prong on the machine plug or using an ungrounded receptacle.
- ✓ Never overload circuits or use fuses rated too high for the circuits.
- ✓ Always remove the plug from the power supply when servicing any part of the machine.

Be sure to caution the customers:

- ✓ ***That the thick polishing pad (white) is required at all times during operation of the machine.***
- ✓ ***Not to use extension cords*** with this machine. The original 25 foot cord should be sufficient.

Control of the SL-1218R

- A) Once the machine is started, it should glide smoothly, without excessive pull or vibration, across the floor. If the unit pulls to either side or vibrates, making control difficult, check the current pad to see if it is properly seated on the carpet. Flip the pad and rotate it 180 degrees and try the machine. If the machine still pulls, change the white pad and center it properly below the SL-1218R.
- B) The machine should be guided straight ahead to cover the floor at the rate required for thorough cleaning. Side to side movement can be used to bring the unit to a new area. Excessive side to side movement will simply make the job tiresome and will not improve cleaning, since the SL-1218R is already oscillating in all directions in its normal action.

Trouble-Shooting Silver-Line SL-1218R

A) The unit will not start:

- ✓ Is the unit well connected into the outlet?
- ✓ ***Is the Reset button (Thermo-contact switch) on the front of the machine set?***
- ✓ Are the plugs between the handle and the base unit well connected?
- ✓ Are the male and female plugs in good condition?
- ✓ Are the wires well connected to the switch on the handle?
- ✓ Are the wires well connected into the motor?
- ✓ Is the wire cord in good condition?

B) The unit stops suddenly:

- ✓ Check all points in section 1
- ✓ ***Is the thermo-contact switch operating properly?***
- ✓ Is the switch on the handle in good and functional conditional?
- ✓ Is the capacitor of the motor in good and functional condition?

C) The plate of the unit is not oriented correctly with the casing:

- ✓ Are the rubber towers of the unit in good condition or broken off?
- ✓ Are the bolts in the towers broken?

D) The unit makes a humming sound without moving:

- ✓ Check all points in section 1.
- ✓ Is there an object caught between the internal plate and the casing?
- ✓ Is the motor capacitor in good and functional condition?
- ✓ Is the shaft of the motor in good condition?

E) The unit starts slowly before picking up it regular speed:

- ✓ Is the starting switch of the motor in good condition?
- ✓ Is the switch in good condition?
- ✓ Is the wire cord in good condition?

F) The machine pulls to one side too much:

- ✓ Check the ***Thick (1") White Nylon pad*** for wear, flip the pad over and rotate it 180 degrees. Try the machine to see if it will run properly.
- ✓ Change the ***Thick (1") White Nylon Pad***

Proper Application & Use of Nylon Pads (For either Rotary or Orbital Polishers)

Color	Use	Application
White*	Buffing	For polishing floors where highest luster is desired
Green	Scrubbing	For general duty scrubbing and spot removal on floors
Black	Stripping	For heavy duty wet stripping of floors

***White pads should be used to drive sand screens and sandpaper on Orbital polishers**

White nylon pads are the best pad for holding mesh screens for screen & recoats, light sanding or polishing a resilient floor. They are also best for holding sandpaper when using the SL-1218R.

Green nylon pads are most useful in scrubbing a resilient floor and in applications that need a stiffer pad.

Black nylon pads are most useful in stripping a resilient floor, and are the coarsest pad available.

There are other colors of pad available for polishers. The white, green and black pads are the standard for the rental industry and will fill all of your needs.

Applications for the SL-1218R:

With the use of sandpaper, sanding screens or nylon pads, the SL-1218R can be used on a variety of surfaces. It is ideal for wood flooring, wood decks, and other hard flooring surfaces.

- Hardwood Floor Screening & Refinishing
- Finish Sanding for Hardwood Floors
- Screening hardwood floors after sanding with the SL-8 & SL-7
- Deck Refinishing
- Cleaning & Polishing Linoleum Floors
- Cleaning & Waxing Hardwood Floors

Use your SL-1218R Orbital Polisher for any application your standard rotary polishers are used for at this time!

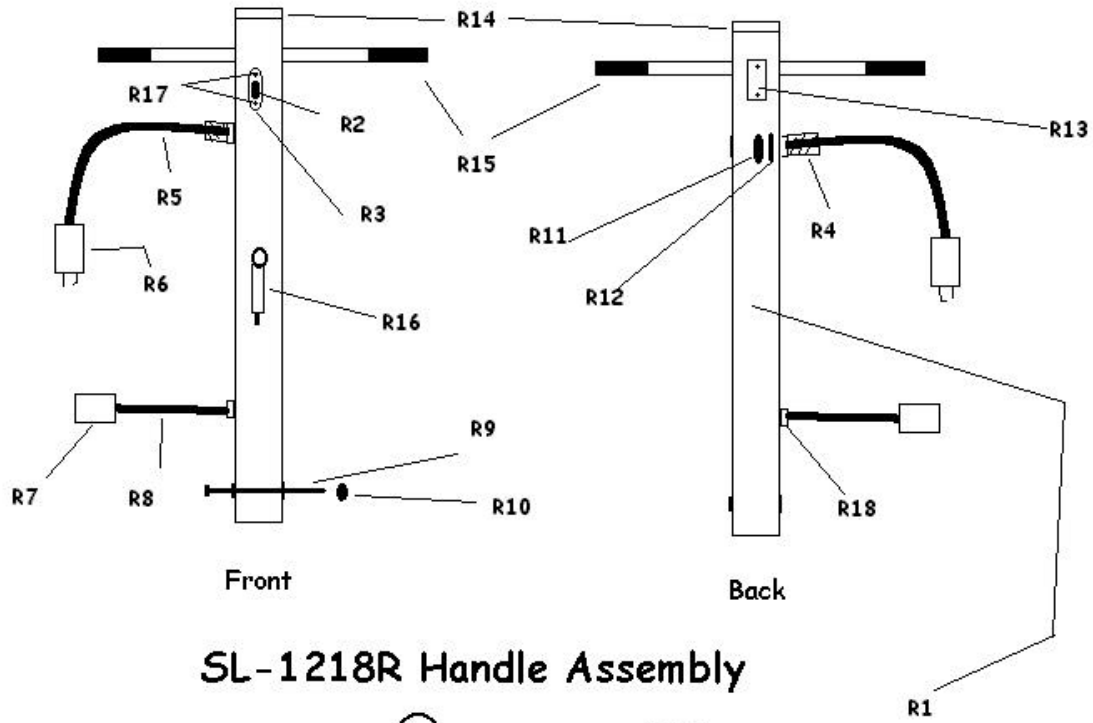
Essex Silver-Line Corporation
1118 Lakeview Ave. PO Box 40
Dracut, MA 01826

Phone (978) 957-2116, Fax (978) 957-6989, Toll Free 800 451-5560

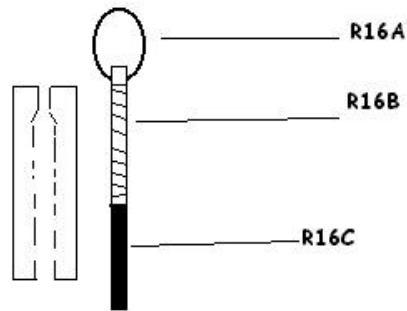
www.essex-silver-line.com

SL-1218R Parts List

Part #	Description	Cost	Part #	Description	Cost
R1	Handle (Includes tube, cap, rod & latch)	\$95.00	R42	Motor Bell	
R2	Switch	\$13.80	R43	Motor Capacitor	
R3	Toggle Guard	\$8.96	R44	Capacitor Box	
R4	Strain Reliever	\$12.65	R44A	Capacitor Box Fasteners	\$1.00
R5	Short Cord (Upper) (14/3 600v 18")	\$2.25	R45	Motor Bolts (4) (Set)	\$1.20
R6	Twist lock (Male)	\$7.50	R46	Flywheel Bearings (6009 DDL 3614) ea.	\$16.00
R7	Twist lock (Female)	\$12.00	R47	Motor Cord	\$2.25
R8	Short Cord (Lower) (14.3 300v 24")	\$3.25	R48	Metal Wire Holder	\$1.75
R9	Handle Bolt (1/4 28 X3)	\$1.90	R49	Carpet (12 X 18 w/5 Holes)	\$14.00
R10	Handle Nut (1/4 28 Stop Nut)	\$.70	R50	Vacuum Attachment	\$89.00
R11	Strain Reliever Nut (Inside Handle)	\$.30	R50a(L)	Vacuum Left Side (w/90 degree)	
R12	Strain Reliever Washer (Inside Handle)	\$.30	R50a(R)	Vacuum Right Side (w/90 degree)	
R13	Back Plate	\$4.40	R50b	Angle Attachments (4) (On side)	
R14	Handle Cover	\$4.00	R50c	18" Hose (with one cuff) (2ea.)	
R15	Handle Grips (2) (ea.)	\$3.30	R50d	Handle Attachment Kit (Screws & Rod)	
R16	Latch Assembly		R50e	90 Degree Hose Swivel Connection (2ea)	
R16A	Latch Loop		R50f	"T" Connector	
R16B	Latch Spring		R50g	Zip Straps (2 ea Not shown)	
R16C	Latch Bar		R50h	Metal connecting Rod (2 ea. Not shown)	
R17	Toggle guard/Back Plate Fasteners (Set)	\$1.00	R51	25' Cord Complete	\$33.00
R18	Cord Grommet	\$.95	R52	Tower Rebuild Kit (1 Set per machine)	\$29.20
R19	Bottom Plate (SL001)	\$142.00		(4ea. R21, R22, R23, R25, R26)	
R20	Rubber Boot (RDO911)	\$26.00	R53	Handle Assembly Complete	\$195.00
R21	Tower Spacer (Metal) ea.	\$1.50			
R22	Tower Spacer (Rubber) ea.	\$.40	R9A	Handle Bolt (1/4 28 X3 1/2) New!	\$1.90
R23	Inner Tower Spacers (Rubber) ea. (ITS)	\$.30			
R24	Tower Rubbers ea.	\$3.00			
R25	Tower Bolt (1/4 28 x 5 1/4 Hex Head Cap)	\$1.90			
R26	Tower Bolt Acorn Nut	\$1.00			
R27	Machine Base SL002)	\$298.00			
R28	Motor Shroud	\$80.00	Notes:		
R28A	Motor Shroud Fasteners (Set)	\$1.20	R17	8-32 X3/8 Rd Hd Scw, #10 Lock washer	
R29	Shroud Grommet	\$1.25	R21	1.000 x .280 X 1.25 Washer Steel	
R30	Silver-Line Sticker	\$3.00	R22	.156 X .100 X 1.25 Washer Rubber	
R31	Wheel (ea.)	\$8.00	R38W	.970 x .625 x.100 Metal Spacer	
R32	Fiber Washer	\$.30			
R33	Wheel Washer (1/2 SAE Flat)	\$.30			
R34	Wheel Bolt	\$1.90			
R35	Nameplate (Serial Number)	\$3.00			
R36	Lift Handle	\$9.70			
R36A	Lift Handle Fasteners (Set)	\$1.20			
R37	Flywheel (1750) Slow Speed (SL003)	\$70.00	Essex Silver-Line Corporation		
R37A	Flywheel Set Screw	\$.30	1118 Lakeview Ave. PO Box 40		
R37B	Flywheel (3500) Hi Speed	\$85.00	Dracut, MA 01826		
R38	Motor 1hp Baldor	\$280.00	(978) 957-2116		
R38A	Motor Armature (Not Shown)		Fax (978) 957-6989		
R38B	Motor Bearings (Not Shown)		Toll Free 800 451-5560		
R38W	Motor Washer (Not Shown) (New Part)		www.essex-silver-line.com		
R39	Motor Reset Thermo-Protector				
R40	Motor Shaft Key	\$.30			
R41	Cooling Fan				

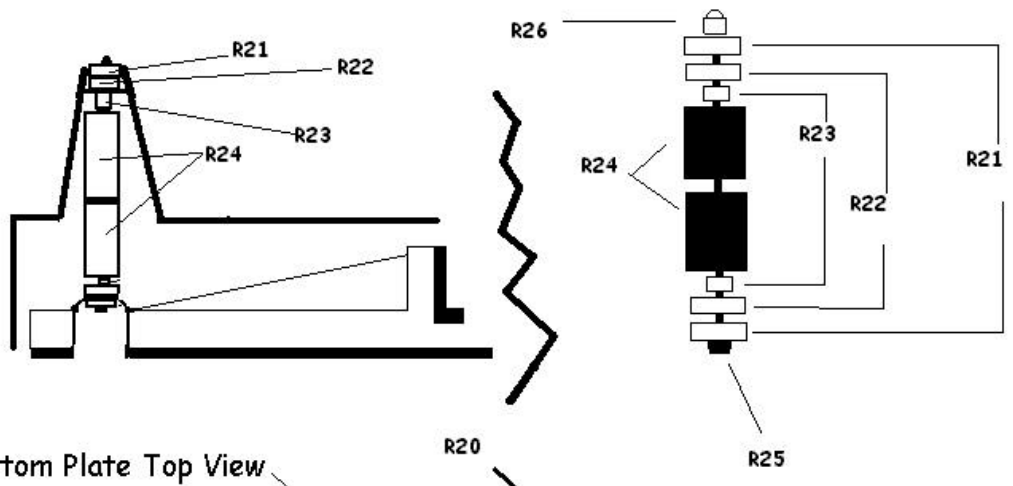


SL-1218R Handle Assembly

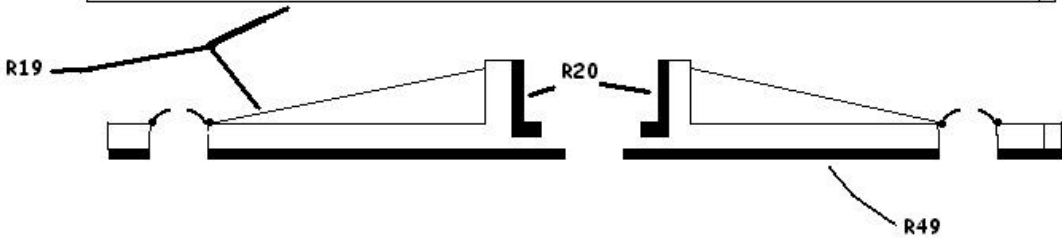
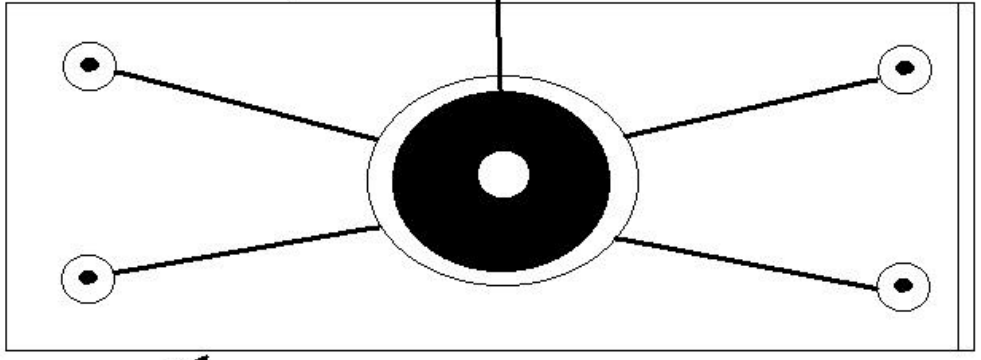


R1
 Handle assembly includes cap, handle rod, latch and back plate

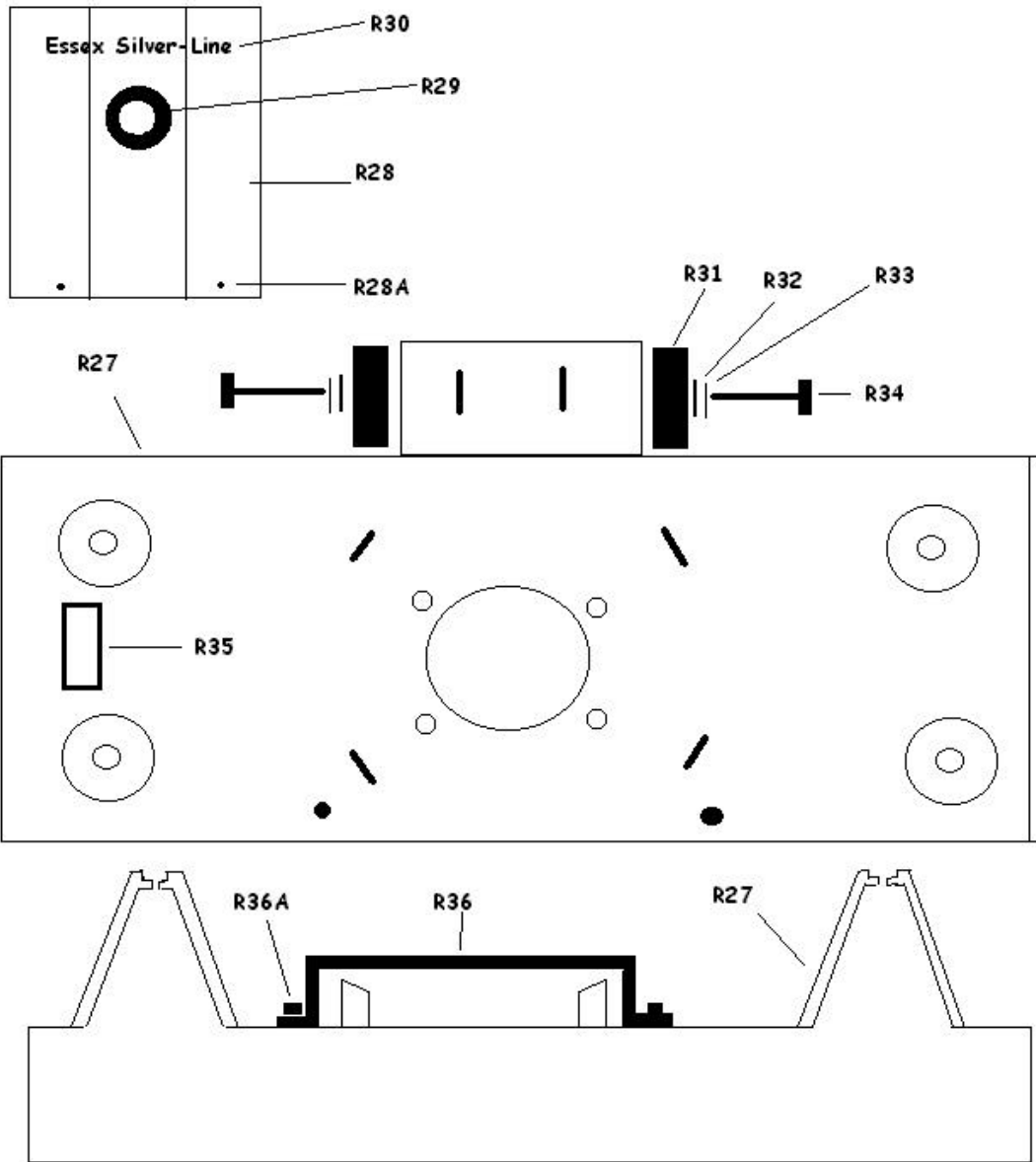
Notes:



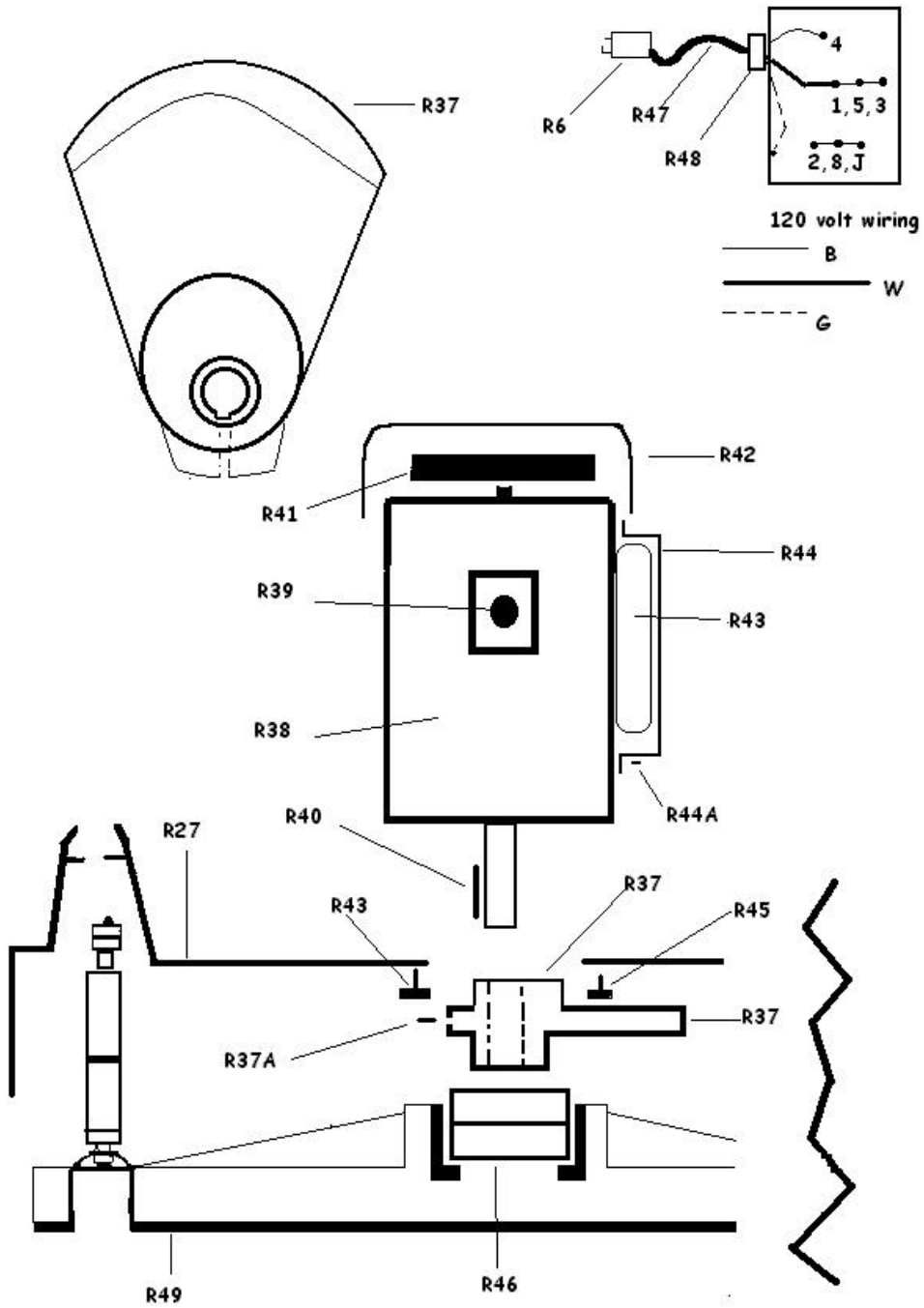
Bottom Plate Top View



Bottom Plate Front View



Electric Box (back of motor)



Installation of Optional Dust Containment System

(This system can be purchased with a new SL-1218R or added at a later date)

1) Clean tapped 10-24 holes in chassis

(Note: **IF** your machine does not have predrilled holes you will need to make them.)

Location of holes is $\frac{3}{4}$ " up from the bottom of the apron, centered on towers. The collection tube should be flush with the front of the machine. Use a #25 drill and then tap w/ 10-24 threads.

2) Fasten Collection Tube to Aprons

- Use 10*24 x $\frac{1}{2}$ " screws w/ lock washer & large flat washer, add thread lock to secure bolts

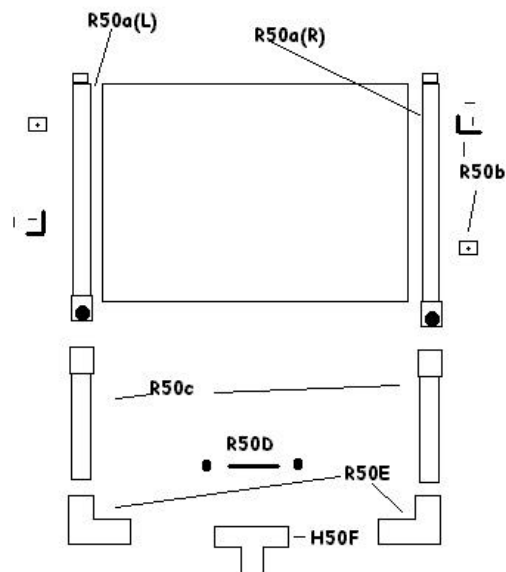
After installation there should be $\frac{1}{8}$ " clearance between top of the plate & bottom of the collection tube.

3) Install bolt in handle

- Hole location is 20" up from apron, 19 $\frac{1}{2}$ " down from handle tube
- Drill $\frac{1}{4}$ " hole in handle tube @ specified location (*It will be easier to use 2 to 3 different drill sizes to build up to the $\frac{1}{4}$ " hole*) **DO NOT** Drill through tube! The wiring inside will be damaged!

4) Secure "T" to Handle

- Attach knurled nuts to $\frac{1}{4}$ -20 rod using channel locks & thread Lock
- Place plastic clinch band around the inner tube of "T" and inside of end caps pull taunt. Cut off excess band.



Essex Silver-Line Corporation

Limited One Year Warranty

Essex Silver-Line Corporation warrants the floor sanding equipment for a period of one year from the date of original purchase. We will repair or replace at our option, any part or parts of the products under this warranty which examination proves to be defective in workmanship or materials during the warranty period. For repair, return machine or parts to Essex Silver-Line Corporation transportation prepaid. This warranty does not apply to repair or replacement required due to misuse, abuse, normal wear and tear and/or repairs attempted or made by other than our service center. For the purpose of this warranty, damage resulting from accident, use of defective or inadequate wiring at the installation in which used, improper cleaning or operation, fire, floods or act of God, are not covered. No other warranty implied or expressed is offered and under no circumstances shall Essex Silver-Line Corporation be liable for an incidental or consequential damage.

Essex Silver-Line Corporation

PO Box 40

1118 Lakeview Ave

Dracut, MA 01826

(978) 957-2116, Fax (978) 957-6989

Toll Free 800 451-5560

www.essex-silver-line.com

